

# 郴州功田电子陶瓷技术有限公司

CHENZHOU GONTCERA CERAMIC TECHNOLOGY CO., Ltd

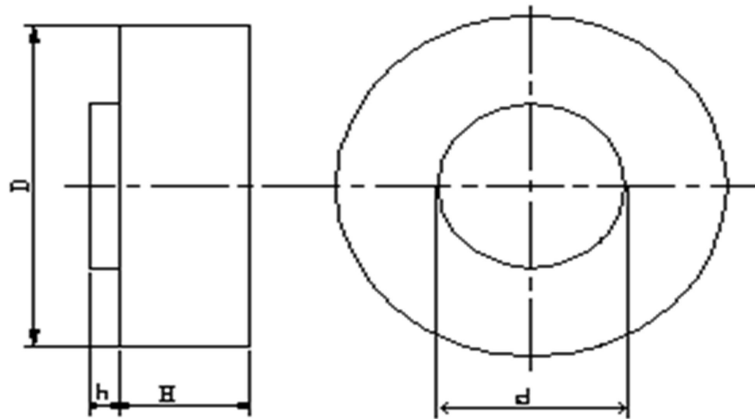
## 1 Performance Index

Model	DR10.600GHz
Resonant Frequency	10.600GHz
Temperature Drift Coefficient	$0 \pm 5 \text{PPm}/^\circ\text{C}$
Quality Factor	$\geq 6000$

## 2 Structural Performance (mm)

Size (D×d×H)			
Medium Outer Diameter	$5.2 \pm 0.2$	Product thickness	$2.2 \pm 0.1$
Medium Diameter	$3.2 \pm 0.2$	Port table thick	$1.0 \pm 0.1$

Product Structure:



## 3 Operating and Storage

Operating Temperature	$-40^\circ\text{C} \sim +80^\circ\text{C}$
Storage Environment	Temperature: $-10^\circ\text{C} \sim +40^\circ\text{C}$ 、Humidity: $\leq 75\%$

## 4 Application

This is mainly used in the LO Circuit of satellite Receiving LNB, which can produce stable LO frequency 10.600GHz, and it can assure its stability that LNB can receive the satellite signal within the range of  $-40^\circ\text{C}$  to  $+80^\circ\text{C}$ .