

# 郴州功田电子陶瓷技术有限公司

CHENZHOU GONTCERA CERAMIC TECHNOLOGY CO., Ltd

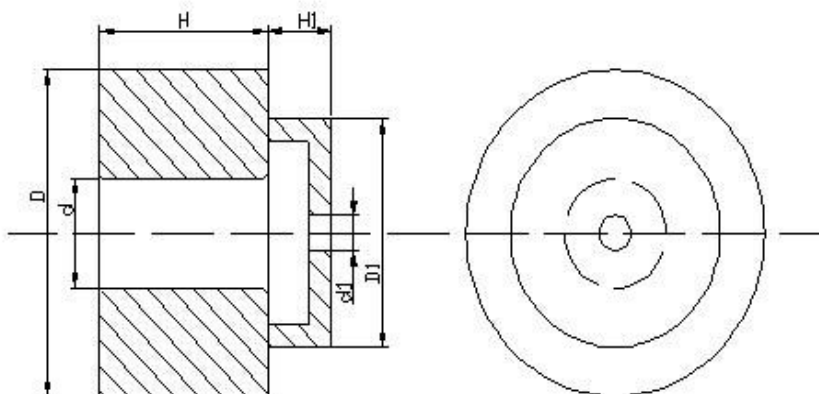
## 1、性能指标Performance Index

型号Model	G-DR-897
谐振频率Resonant Frequency	897±8 MHz
介电常数 $\epsilon_r$ DK	介质Medium:45±1;支撑Support:9.8±1
品质因数Q值 Quality Factor Q	>20000
谐振频率温度系数 Temperature	0±3 PPM/°C

## 2、结构特性 (单位: mm)Structural Performance

规格尺寸描述			
介质外径D Medium Outer Diameter	62.5±0.4	介质高度H Medium Hight	22±2
介质内径d Medium Diameter	21.6±0.4	支撑高度H1 Support Hight	24.8±0.4
支撑外径D1 Support Outer Diameter	44.5±0.5	支撑内径d1 Support	33.0±0.4

产品结构图:



## 3、工作及保存环境

工作温度Operating Temperature	-40°C~+80°C
储存环境Storage Environment	温度: -10°C~+40°C、湿度: ≤75% Temperature:-10°C~+40°C、Humidity: ≤75%

# 郴州功田电子陶瓷技术有限公司

CHENZHOU GONTCERA CERAMIC TECHNOLOGY CO., Ltd

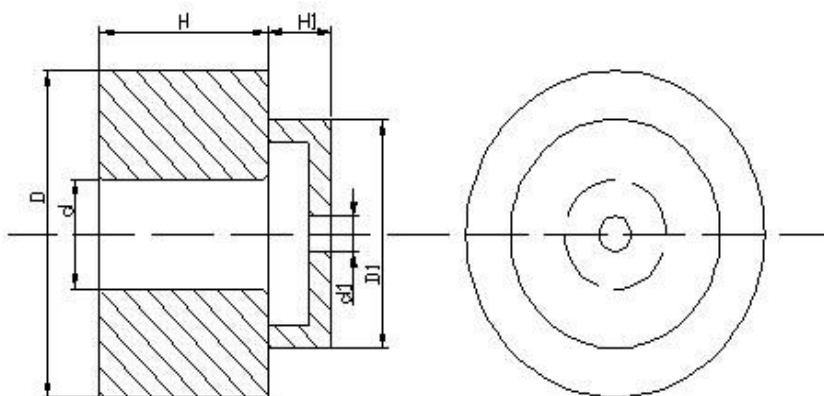
## 1 Performance

Model	G-DR1800
Resonant Frequency	1800±8 MHz
$\epsilon_r$ DK	Medium:45±1;Support:9.8±1
Quality Factor Q	>14000
Temperature Coefficient Of	0±3 Ppm/°C

## 2 Structural Performance (mm)

Specification Description			
Medium Outer Diameter	29.6±0.4	Medium Hight	11±0.5
Medium Diameter	9.0±0.3	Support Hight	7.6±0.3
Support Outer Diameter	23.5±0.4	Support Diameter	3.2±0.2

Product Structure:



## 3 Operating and Storage

Operating Temperature	-40°C ~ +80°C
Storage Environment	Temperature: -10°C ~ +40°C、Humidity: ≤75%

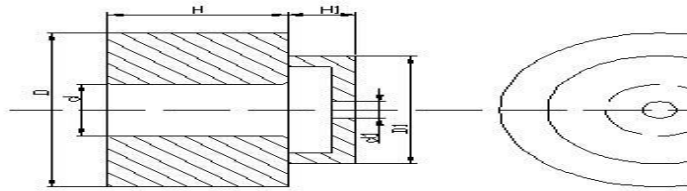
### 1、性能指标

型号Model	G-DR885
谐振频率Resonant Frequency	885 ± 5 MHz
介电常数 $\epsilon_r$ DK	介质Medium: 45 ± 1; 支撑Support
品质因数Q值	> 15000
谐振频率温度系数 Temperature Coefficient Of Resonance	0 ± 3 PPM/°C

### 2、结构特性 (单位: mm) Structural Performance

规格尺寸描述			
介质外径D Medium Outer Diameter	56 ± 0.4	介质高度H Medium Height	
介质内径d Medium Diameter	19.0 ± 0.3	支撑高度H1 Support	
支撑外径D1 Support Outer	38 ± 0.4	支撑内径d1 Support	

产品结构图:



### 3、工作及保存环境

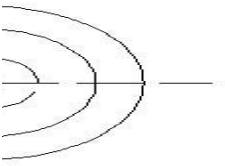
工作温度Operating Temperature	-40°C ~ +80°C
储存环境Storage Environment	温度: -10°C ~ +40°C、 Temperature: -10°C ~ +40°C、

pport:9.8±1

34±2

12±0.3

6.0±0.2



;

显度: ≤75%

Humidity: ≤75%