

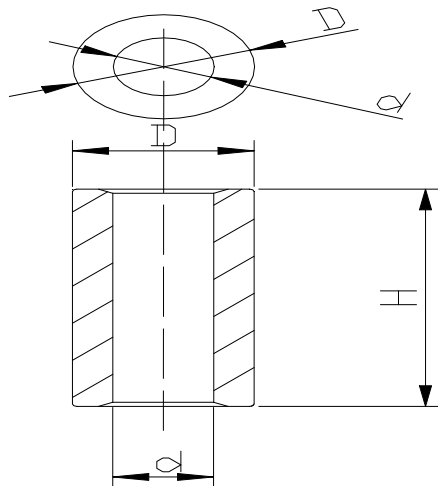
### 1 Performance Index

Resonant Frequency	高斯贝尔数码科技股份有限公司 GOSPELL DIGITAL TECHNOLOGY CO., LTD Medium: $37 \pm 0.5$		
$\epsilon_r$ DK			
Quality Factor Q	$>5000$		
Temperature Drift Coefficient	$4 \pm 1$ PPM/ $^{\circ}\text{C}$		

### 2 Structural Performance (mm)

Medium Outer Diameter	$\phi 13.3 \pm 0.1$	H Medium Hight	$26.3 \pm 0.1$
Medium Diameter	$\phi 7.2 \pm 0.2$		

Product structure:



### 3 Operating and Storage

Operating Temperature	$-40 \sim +90^{\circ}\text{C}$
Storage Environment	Should be stored in a cool, dry, clean and be non-corrosive gases warehouse, temperature $-10 \sim +40^{\circ}\text{C}$ , relative humidity (RH) $45\% \sim 75\%$